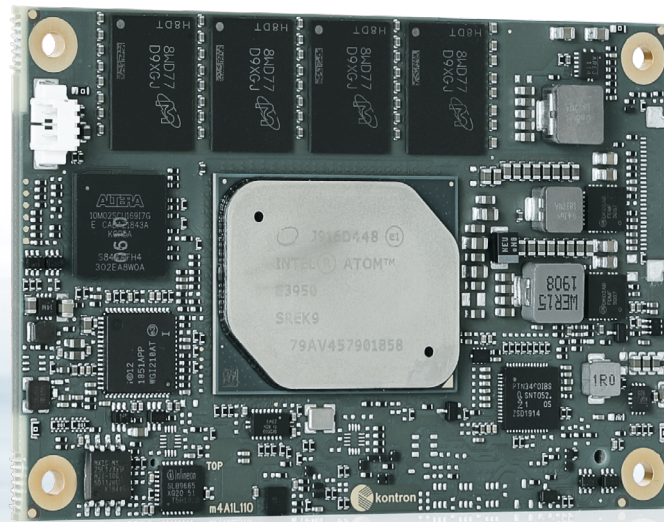


# COMe-m4AL10 (E2)

---



## COM Express® mini Type 10 with Intel Atom® E3900 Series, Pentium® and Celeron® Processors

- ▶ Low-Power - Performance/Watt optimized small form factor solution
- ▶ Up to 16 GByte LPDDR4 memory down (non ECC)
- ▶ 2x USB 3.0/2.0, 6x USB 2.0, USB client optional, 2x SATA, eMMC Flash
- ▶ Industrial grade temperature

POSSIBILITIES START HERE



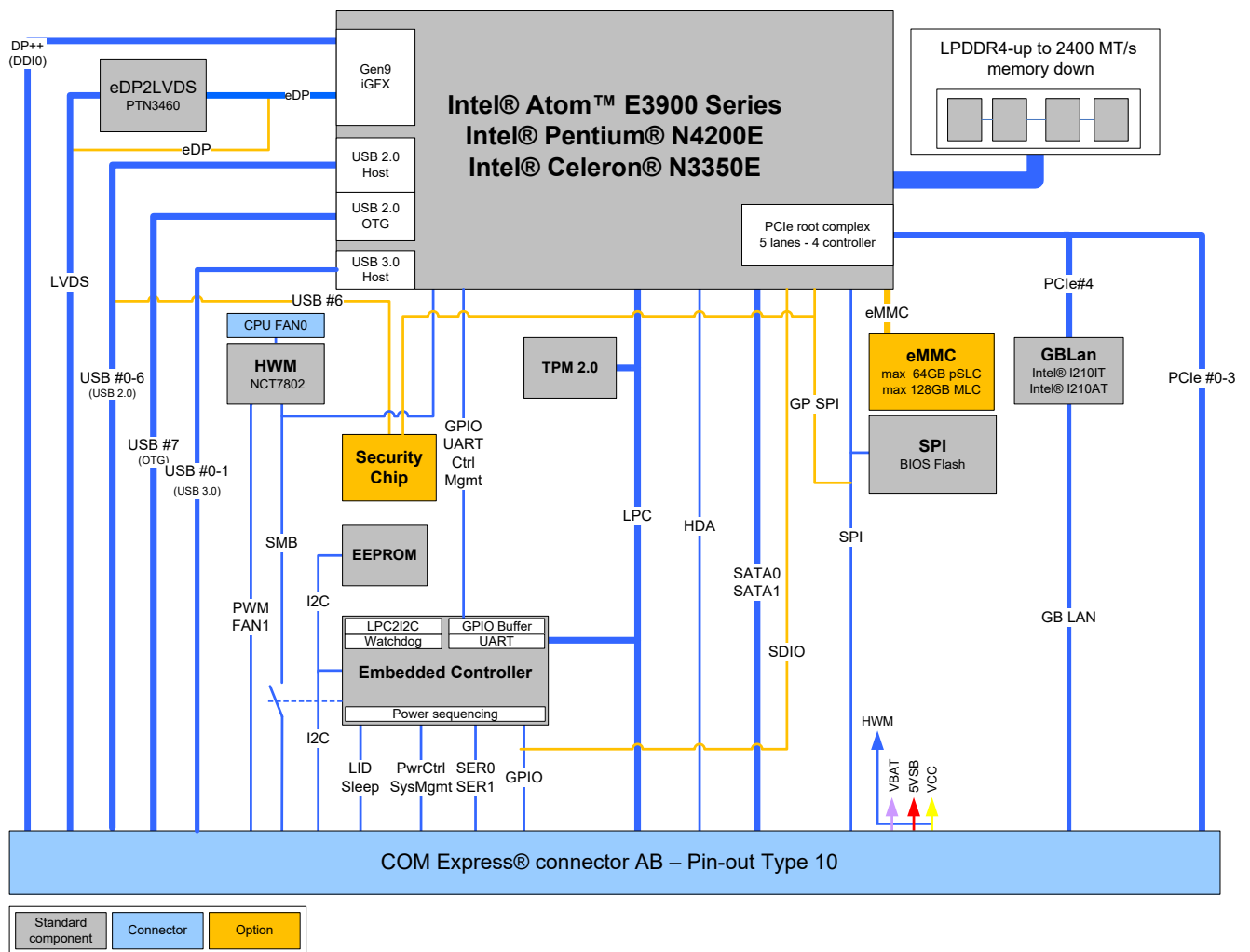
## ► TECHNICAL INFORMATION

<b>COMPLIANCE</b>	COM Express® mini, Pin-out Type 10
<b>DIMENSIONS</b>	84 x 55 mm
<b>CPU</b>	Intel Atom® E3900 Series, Pentium® and Celeron® Processor For details see table (CPU variants) given below
<b>CHIPSET</b>	-
<b>MAIN MEMORY</b>	Up to 16 GByte LPDDR4-2400 memory down (non-ECC)
<b>GRAPHICS CONTROLLER</b>	Intel® HD Gfx Gen9: LVDS/eDP, 1x DP++, up to 4K
<b>ETHERNET CONTROLLER</b>	Intel® I210IT/I210AT (I211AT)
<b>ETHERNET</b>	10/100/1000 MBit Ethernet
<b>STORAGE</b>	2x SATA 6 Gb/s, SDIO Interface (shared with GPIO)
<b>FLASH ONBOARD</b>	depending on version
<b>PCI EXPRESS®</b>	PCIe lane configurations: 3 x1 / 2 x1 + 1 x2 / 2 x2
<b>DISPLAY</b>	DDI: DP++, LVDS: Single Channel 18/24 bit or eDP
<b>USB</b>	2x USB 3.0 (incl. USB 2.0) + 6x USB 2.0, Port 7 is dual role (Client/Host)
<b>SERIAL</b>	2x serial interface (RX / TX only)
<b>AUDIO</b>	Intel® High Definition Audio
<b>COMMON FEATURES</b>	SPI, LPC, SMB, Fast I <sup>2</sup> C, Staged Watchdog, RTC
<b>BIOS</b>	AMI Aptio V
<b>HUMIDITY</b>	93 % relative Humidity at 40 °C, non-condensing (according to IEC 60068-2-78)
<b>FEATURES ON REQUEST</b>	w/o onboard LAN: PCIe lane configuration 4 x1, eMMC Flash onboard (up to 64 GByte pSLC, up to 128 GByte MLC), eDP instead of LVDS, General Purpose SPI instead of Boot SPI, USB client, Security Chip (Support of Kontron APPROTECT),
<b>POWER MANAGEMENT</b>	ACPI 4.0
<b>POWER SUPPLY</b>	4.75 V – 20 V Wide Range, Single Supply Power
<b>SPECIAL FEATURES</b>	Trusted Platform Module TPM 2.0, 4k Resolutions, GPIO/SDIO Switch, General Purpose SPI optional, Industrial Temperature Grade versions
<b>OPERATING SYSTEM</b>	Windows® 10, Enterprise, Windows 10 IoT, Linux, VxWorks
<b>TEMPERATURE</b>	COMe-m4AL10: Commercial temperature: 0 °C to +60 °C operating, -30 °C to +85 °C non-operating COMe-m4AL10 E2: Industrial temperature: -40 °C to +85 °C operating, -40 °C to +85 °C non-operating

## CPU VARIANTS

BRAND	PROCESSOR NUMBER	TDP	CORES	THREADS	CACHE	BASE FREQ	MAX TURBO FREQ	GRAPHICS GEN 11	ECC	USE CONDITION
Celeron®	N3350E	6 W	2	2	2 MByte	1.1 GHz	2.4 GHz	12	no	PC Client
Pentium®	N4200E	6 W	4	4	2 MByte	1.1 GHz	2.5 GHz	18	no	PC Client
Intel Atom®	x5-E3930	6.5 W	2	2	2 MByte	1.3 GHz	1.8 GHz	12	yes	Embedded
Intel Atom®	x5-E3940	9.5 W	4	4	2 MByte	1.6 GHz	1.8 GHz	12	yes	Embedded
Intel Atom®	x7-E3950	12 W	4	4	2 MByte	1.6 GHz	2.0 GHz	18	yes	Embedded

## BLOCK DIAGRAM



## ▶ VARIANTS

PART NO.	CPU	MEMORY	MEM-FREQ.	ETHERNET	FLASH - eMMC	VARIOUS	OP. TEMPERATURE
34010-0204-11-2	N3350	4 GByte	LPDDR4-2133	I211-AT	4 GByte pSLC	LVDS, no SecurityChip	0 °C - 60 °C
34010-0416-11-4	N4200	4 GByte	LPDDR4-2400	I211-AT	16 GByte pSLC	LVDS, no SecurityChip	0 °C - 60 °C
34011-0200-13-5	E3930	2 GByte	LPDDR4-2133	I210-IT	-	LVDS, no SecurityChip	-40 °C - 85 °C
34011-0408-13-5	E3930	4 GByte	LPDDR4-2133	I210-IT	8 GByte pSLC	LVDS, no SecurityChip	-40 °C - 85 °C
34011-0400-16-5	E3940	4 GByte	LPDDR4-2133	I210-IT	-	LVDS, no SecurityChip	-40 °C - 85 °C
34011-0416-16-5	E3940	4 GByte	LPDDR4-2133	I210-IT	16 GByte pSLC	LVDS, no SecurityChip	-40 °C - 85 °C
34011-0800-16-7	E3950	8 GByte	LPDDR4-2400	I210-IT	-	LVDS, no SecurityChip	-40 °C - 85 °C
34011-0832-16-7	E3950	8 GByte	LPDDR4-2400	I210-IT	32 GByte pSLC	LVDS, no SecurityChip	-40 °C - 85 °C

Please contact your sales representative for other versions.

## ▶ CARRIER

ARTICLE	PART NO.	DESCRIPTION
COMe Eval Carrier T10 GEN2	34101-0000-00-2	COM Express® Eval Carrier Type 10 Gen 2
COMe RefCarrier-i T10 TNIP	34105-0000-00-0	COM Express® Reference Carrier-i Type 10 Thin-nanoITX Professional

## ▶ COOLING

ARTICLE	PART NO.	DESCRIPTION
HSP COMe-mAL10 (E2) THREAD	34009-0000-99-0	Heatspreader for COMe-m(4)AL10 commercial and E2, threaded mounting holes
HSP COMe-mAL10 (E2) THROUGH	34009-0000-99-1	Heatspreader for COMe-m(4)AL10 commercial and E2, through holes
HSP COMe-mAL10 (E2) SLIM THREAD	34009-0000-99-2	Heatspreader Slimline 6.5mm for COMe-m(4)AL10 commercial and E2, threaded mounting holes
HSP COMe-mAL10 (E2) SLIM THROUGH	34009-0000-99-3	Heatspreader Slimline 6.5mm for COMe-m(4)AL10 commercial and E2, through holes

## ▶ GLOBAL HEADQUARTERS

### Kontron Europe GmbH

Gutenbergstraße 2  
85737 Ismaning, Germany  
Tel.: +49 821 4086-0  
Fax: +49 821 4086-111  
info@kontron.com

[www.kontron.com](http://www.kontron.com)